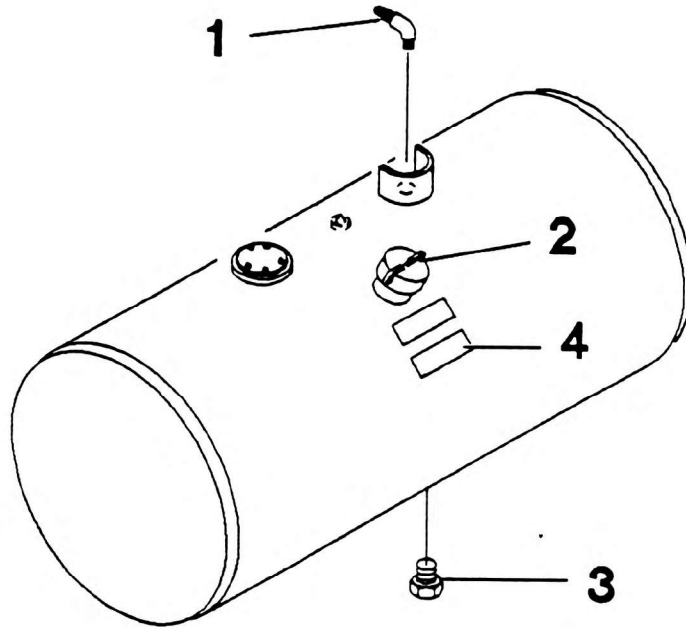


TANK - FUEL

GROVE



NO.	PART NO.	QTY	DESCRIPTION	NO.	PART NO.	QTY	DESCRIPTION
	7-880-000226		COMPLETE ASSY				
1	9-880-100070	1	VALVE - VENT				
2	9-880-100068	1	CAP				
3	9-880-100067	1	PLUG				
4	9-880-100069	1	DECAL - DIESEL DIESEL FUEL USE ONLY				